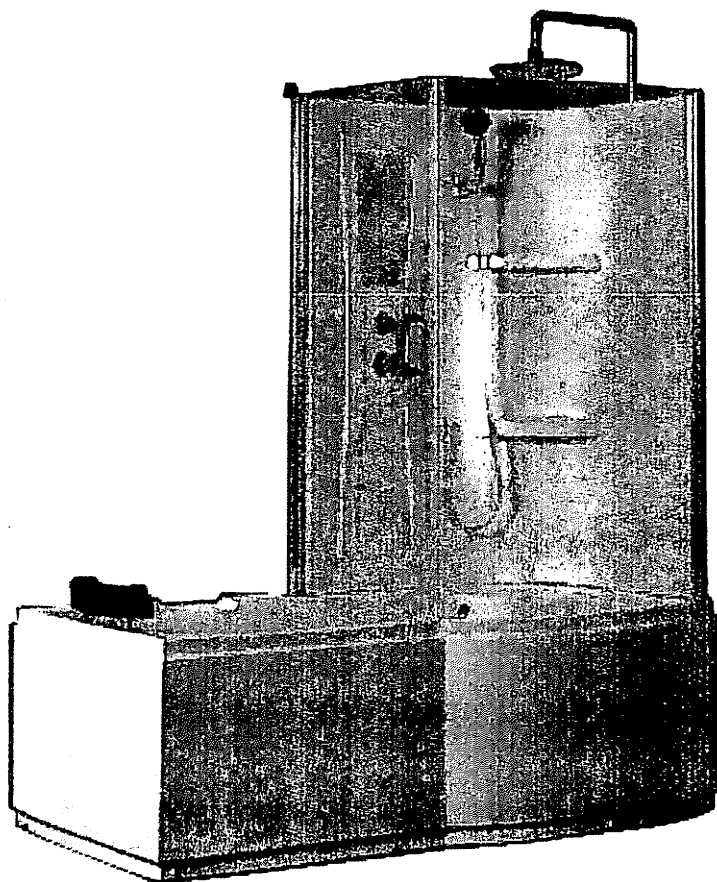


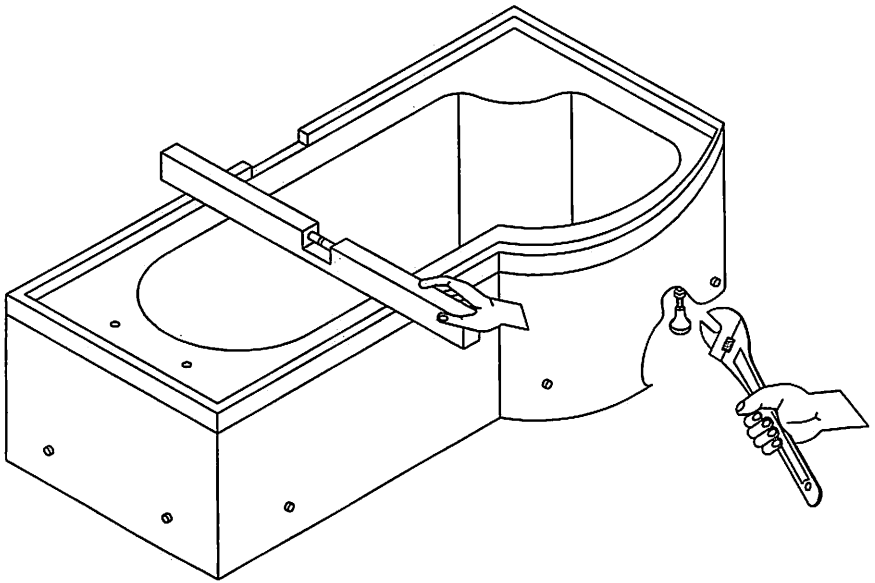
Shower room Installation

9045L (R)

SIZE: 1700*750*2080

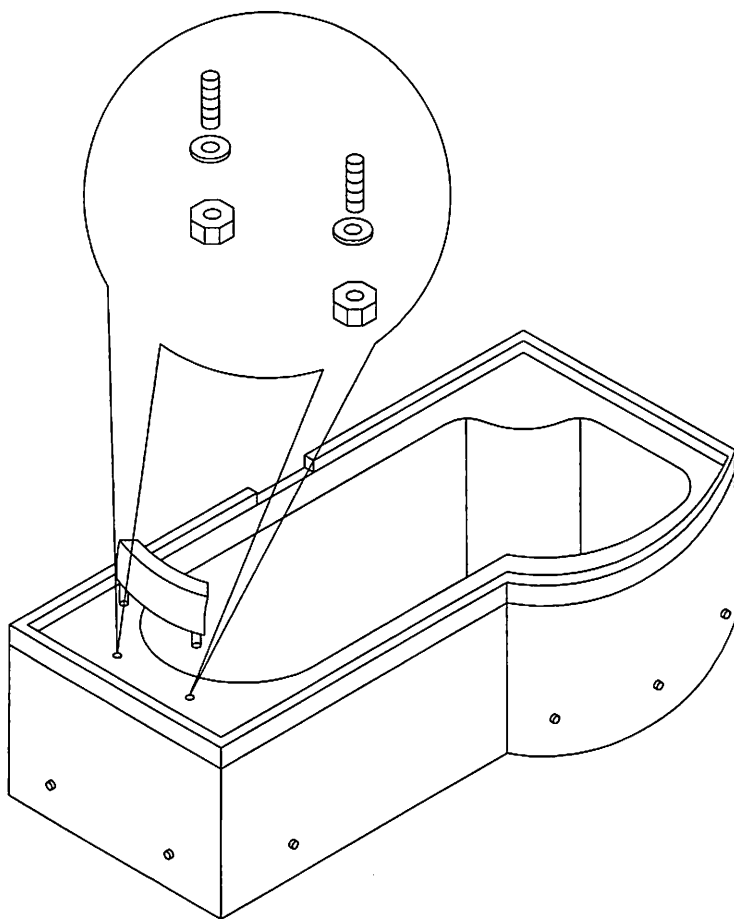


1. put the tub at the right place , adjust the feet and tighten the screws.



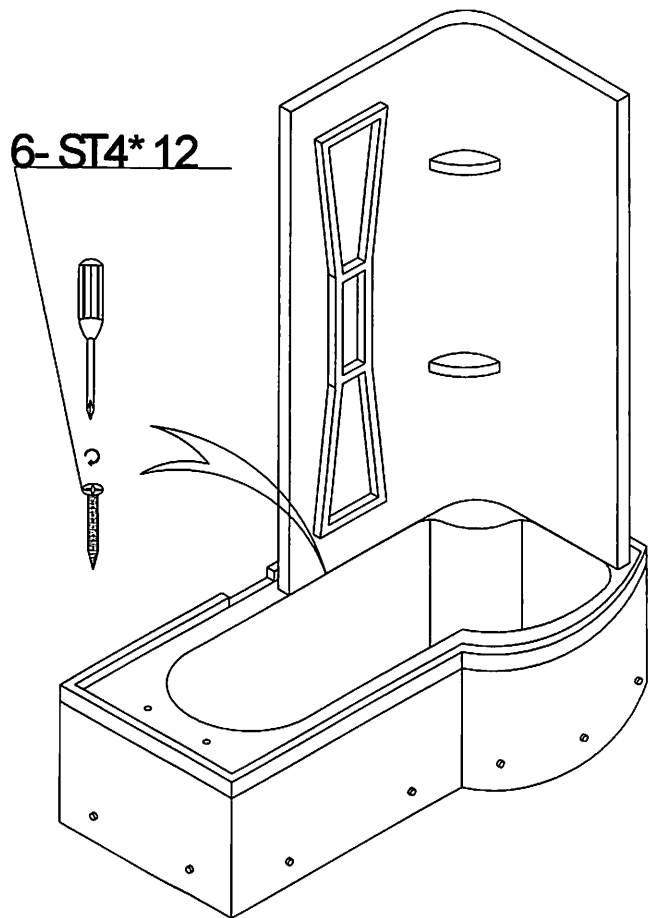
(1)

2. put the gasket from inside of the shirt and connection the pillow with the screw.



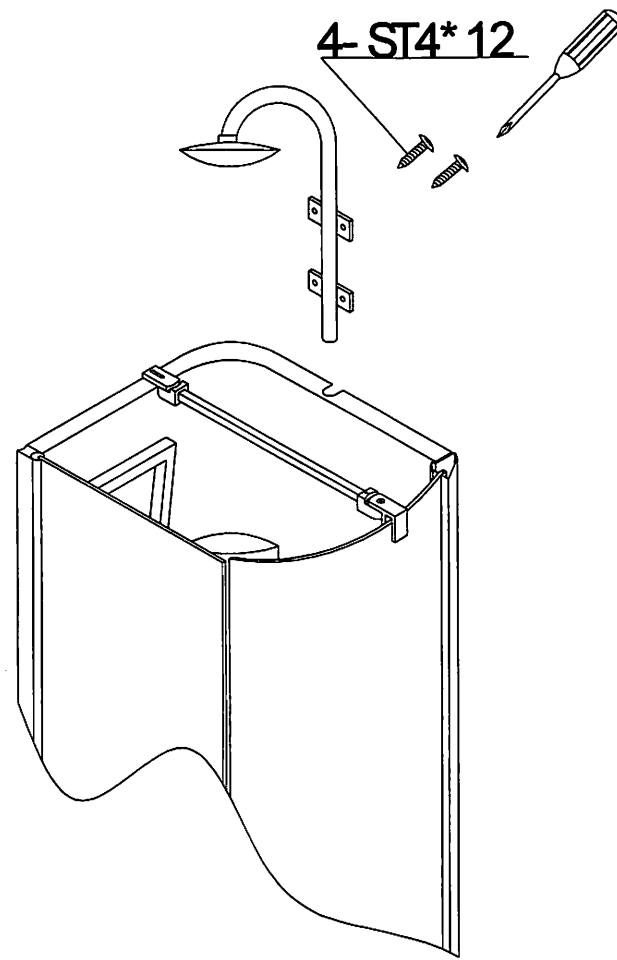
(2)

3. fix the backboard on the tub with screw ST4*12.



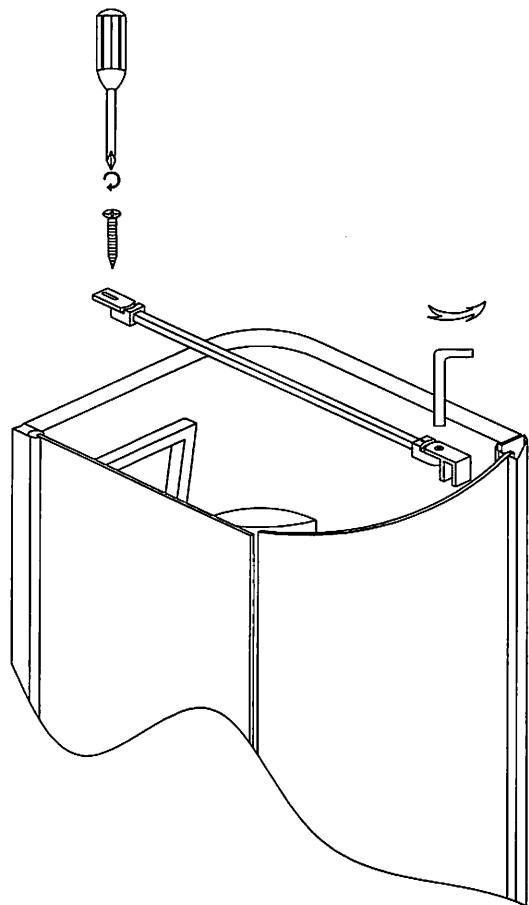
(3)

8. install the top shower with screw ST4*12



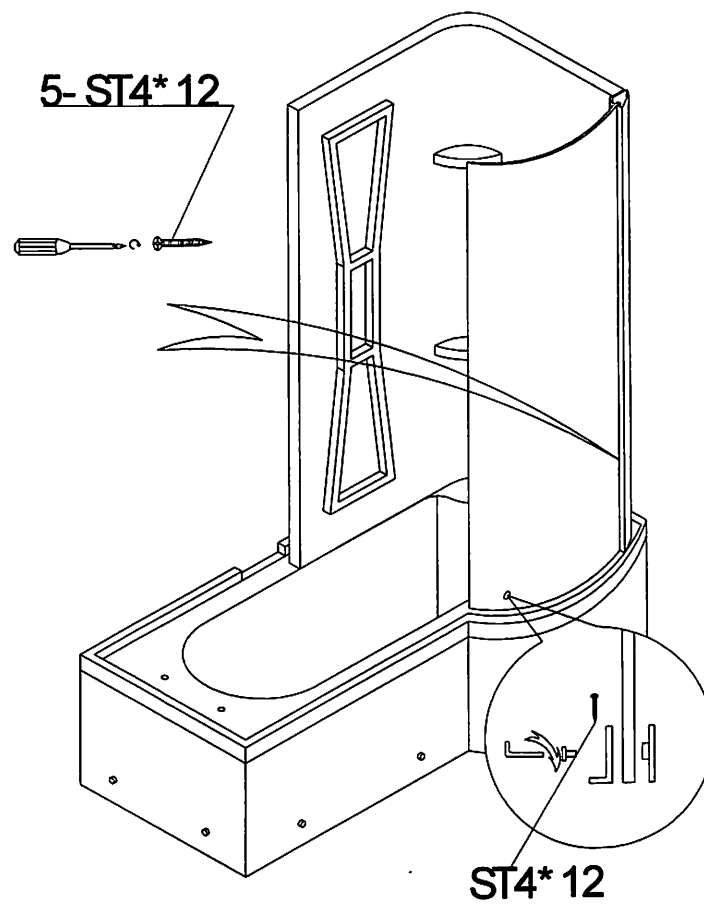
(8)

7. connection with the backboard and fix glass door with a bar.



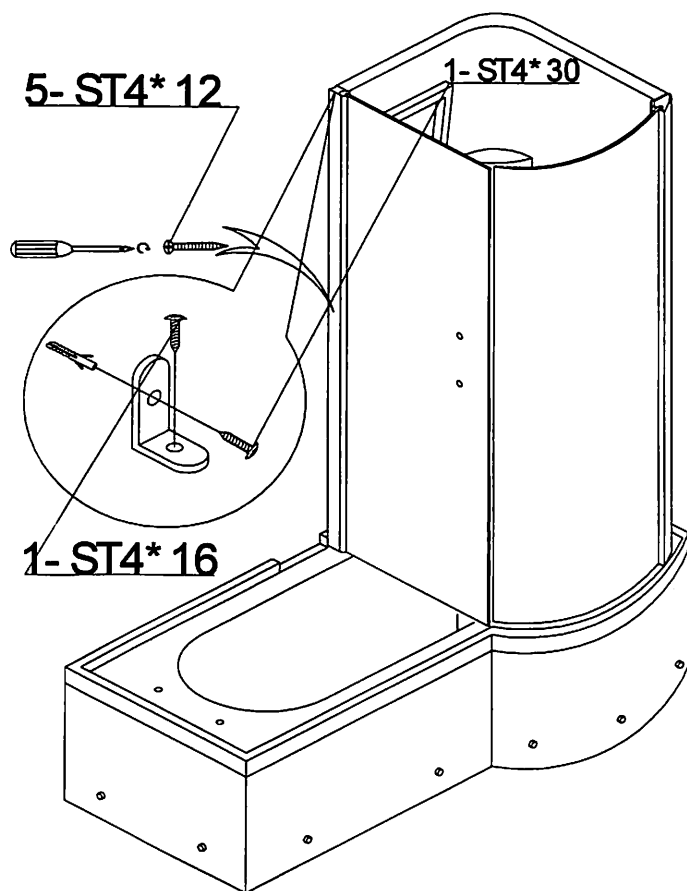
(7)

4. fix the fixed glass door with screw ST4*12. as the pictures.



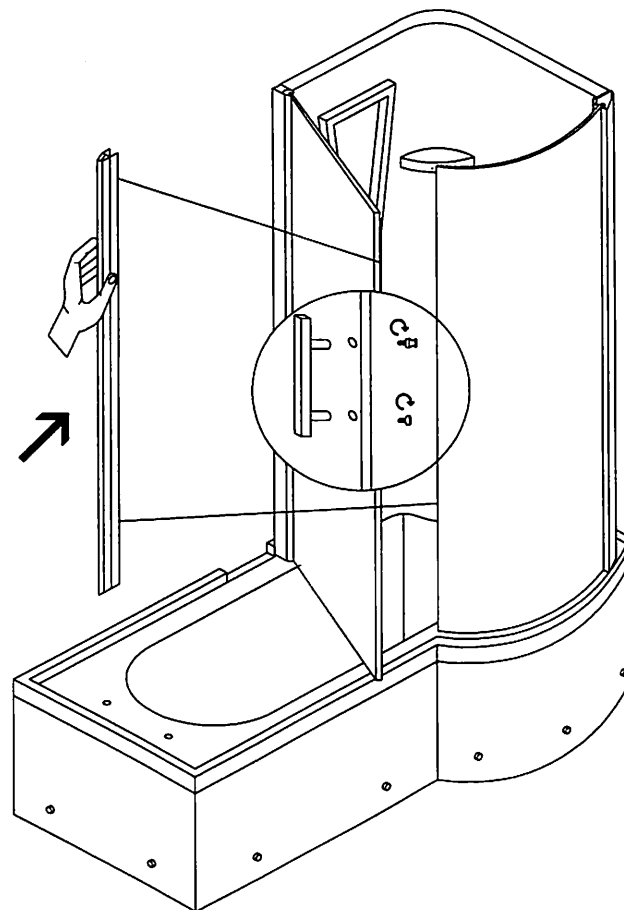
(4)

5. fix the moveable glass door with screw ST4*12 on backboard. then install aluminium profil to the wall.



(5)

6. Put on the door stopper and handle



(6)